



MODEL 73

Sump Pump



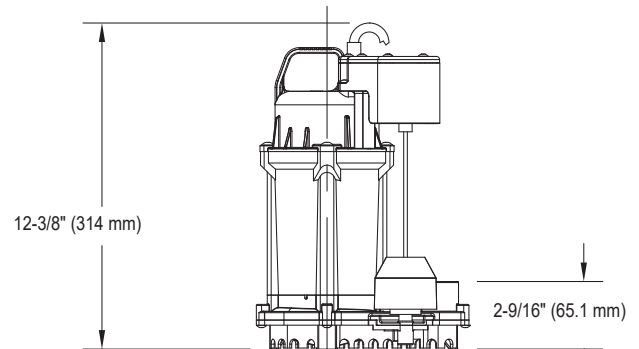
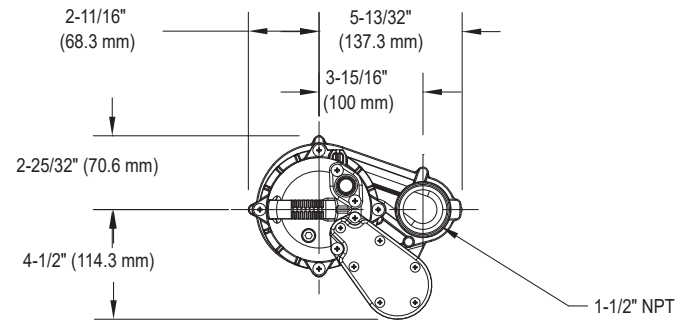
Zoeller Family of Water Solutions™

Copyright Zoeller Co. All rights reserved.

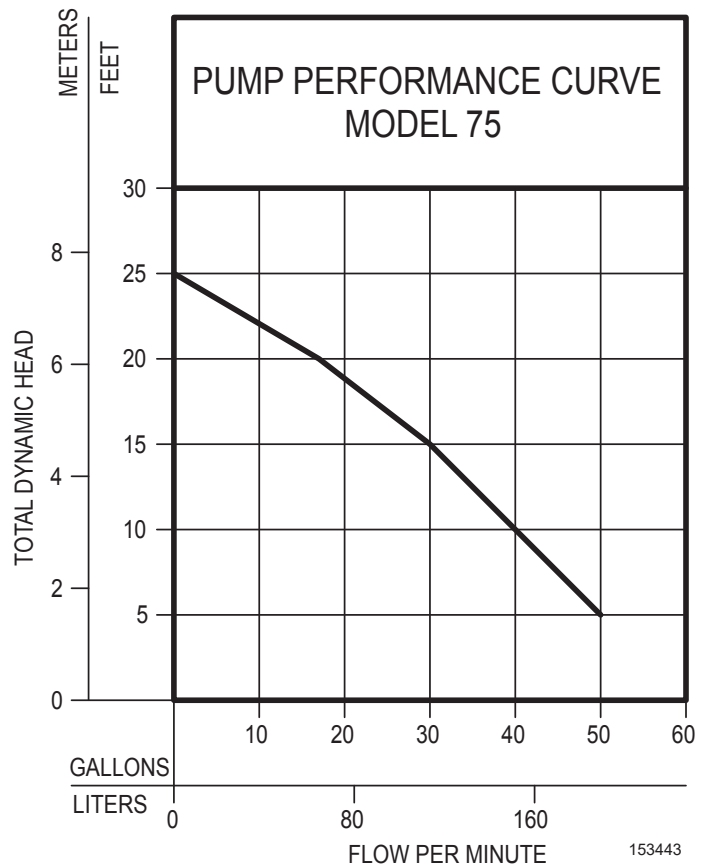
Features:

- Energy saving product
- 2-year warranty
- Reliable integrated vertical switch
- 1/2 HP 115 V sump pump
- Performance up to 25' (7.6 m) TDH
- Flows up to 50 GPM (189 LPM)
- Rugged cast iron motor housing
- Engineered plastic base
- Corrosion-resistant, powder coated epoxy paint

MOTOR	Horse Power	1/2
	Voltage	115
	Phase	1 Ph
	Hertz	60 Hz
	RPM	3450
	Type	Permanent split capacitor
	Insulation	Class B
	Amps	5.6
PUMP	Operation	Automatic
	Auto On/Off Points	8-1/4" (21 cm) / 2-1/2" (7 cm)
	Discharge Size	1-1/2" NPT
	Solids Handling	3/8" (9 mm) spherical solids
	Cord Length	10' (3 m) standard
	Cord Type	UL listed, 3-wire, grounded plug
	Max. Head	25' (7.6-m)
	Max. Flow Rate	50 GPM (189 LPM)
	Max. Operating Temp.	104 °F (40 °C)
	Cooling	Oil filled
MATERIALS	Motor Protection	Auto reset thermal overload
	Motor Housing	Cast iron
	Pump Housing	Engineered plastic
	Base	Engineered plastic
	Upper Bearing	Ball bearing
	Lower Bearing	Ball bearing
	Mechanical Seals	Carbon and ceramic
	Impeller Type	Non-clogging vortex
	Impeller	Engineered plastic
	Hardware	Stainless steel
	Motor Shaft	SUS420J2 stainless steel
Gasket	NBR	



SK3053



153443



CAUTION

All installation of controls, protection devices and wiring should be done by a qualified licensed electrician. All electrical and safety codes should be followed including the most recent National Electrical Code (NEC) and the Occupational Safety and Health Act (OSHA).

FM2961

0224

Supersedes

0123