

# Centrifugal STEP Vaults



Extended Version



Standard Version

**Includes filter pack with  
handle and pump chamber  
preassembled at factory.**



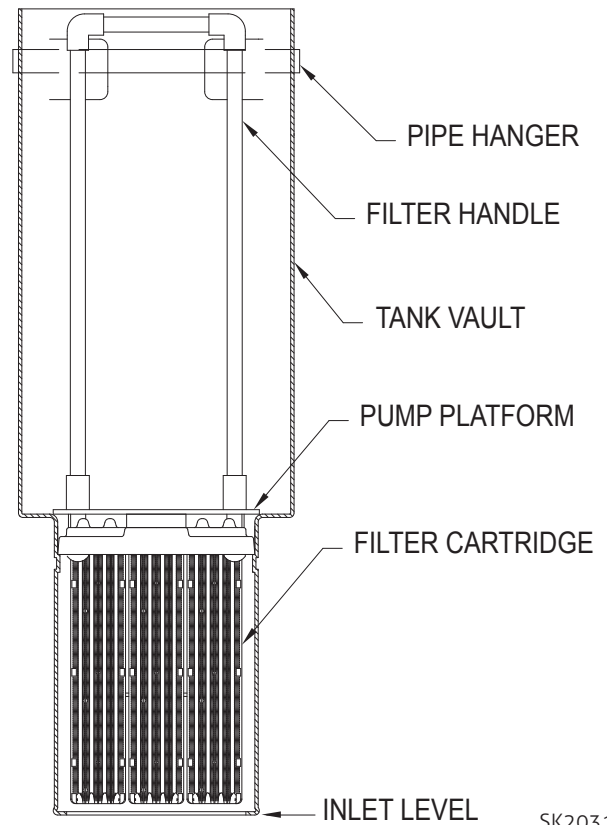
# Centrifugal STEP Vaults

Zoeller Pump Company Centrifugal STEP Vault includes filter pack with handle and pump chamber preassembled at the factory.

Centrifugal STEP system stand available.

## Features

- Vault heights from 46" to 63" are available
- All vaults fit in an 18" septic tank opening
- Preassembled simplex packages with controls are available
- Non-corrodible polyethylene vault and polypropylene filter pack
- Incorporated filters screen solids to 1/16 inch
- Each Centrifugal STEP vault includes a removable filter pack with a handle
- STEP vault must hang as inlet is on the bottom



SK2031

Centrifugal STEP Vaults	
Part Number	Description
5040-0001	Centrifugal STEP vault / 46"
5040-0026	Centrifugal STEP vault / 50"
5040-0027	Centrifugal STEP vault / 63"
5040-0041	Centrifugal STEP system stand

CL1033  
1223  
Supersedes  
0223