



912-1161



912-0017

## 912 Residential Sewage Ejector Systems

### Plug and Go Systems

Easier installation and saves labor.

Designed for residential and light commercial sewage applications.

Consult factory or factory rep for design build package systems.



**Zoeller Family of Water Solutions™**

Copyright Zoeller Co. All rights reserved.

## System Components:

### Automatic Pump

- Integral Float Switch or Piggyback Switch
- 115 Volt
- 0.4 HP (9.4 FLA) or 0.5 HP (10.4 FLA)
- 2" PVC discharge

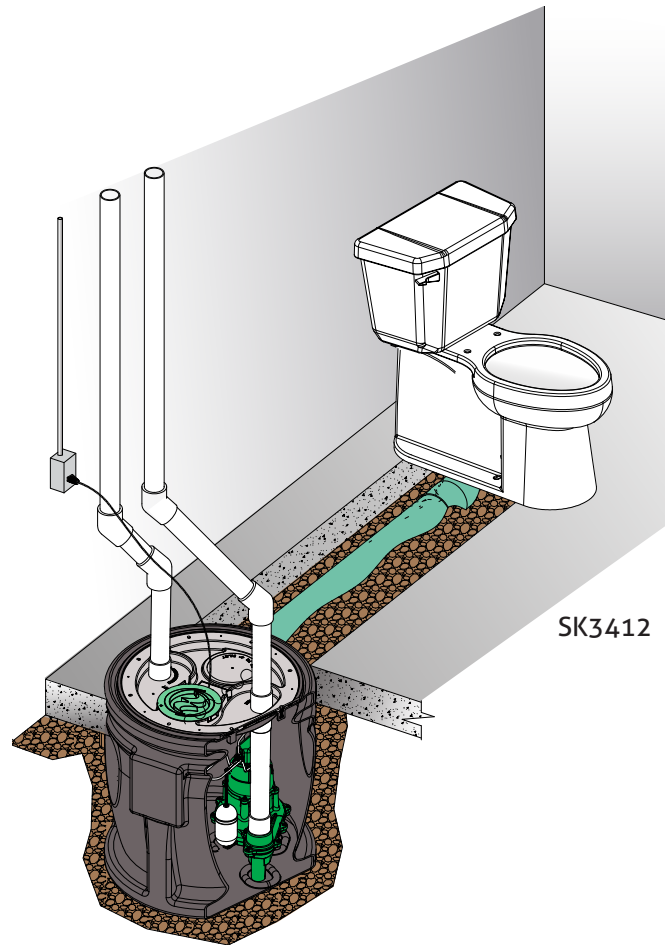
### High Water Alarm (optional)

- Simplex systems available with or without high water alarm. Systems that include high water alarm will have the alarm float preinstalled.
- Duplex system uses an alternator with built in high water alarm

### Basin

- Poly Structural Foam (PSF) or polyethylene basin and cover
- 10' Stack comes with a fiberglass basin, steel cover, 4" cast iron inlet hub and qualifies as a L.A. code system
- 2" PVC discharge. Through the cover for indoor or side discharge for outdoor systems.
- 4" Inlet
- 3/16" vent hole pre-drilled
- 18" x 30" – 30 gallon (113 liter) capacity
- 24" x 24" – 41 gallon (155 liter) capacity

Note: Check valve required. Sold separate.



SK3412

Packing peanuts found in basins are corn starch based and will dissolve once water is added.

## Optional Alarms and Alternator

### Indoor APak® High Water Alarm

- Auto-reset solid state alarm
- Battery backup for power outage (2-AA batteries not included)
- NEMA 1 non-corrodible enclosure for indoor use
- Manual shut-off
- Horn rated at 86 decibels at 10' (3 m)

### Indoor Residential SmartPak® Alternator

- Alternates two automatic pumps up to 1/2 HP, 12 Amps each, 115 V single phase
- Extends pump life
- Compact design easily mounts in confined spaces
- Universal connection for alarm switch replacement



10-4012



10-0804

### Outdoor APak® High Water Alarm

- NEMA 4X Outdoor use per UL 864 for US and Canada
- High water will trigger horn and red alarm LEDs. Audible alarm horn can be silenced. If water level recedes, alarm will stop on its own, with LED alarm indicator remaining on until reset. Horn is rated 82 decibels at 10' (3 m)
- Auxiliary dry contacts for high level alarm, 5 Amps



91104-0001

## Optional Extensions and Risers

### 18" x 30" PSF & Fiberglass Basin Extension Options

Poly Structural Foam (PSF)

31-1473 – 12" tall for 18" diameter

31-1476 – 6" tall for 18" diameter

Fiberglass

31-0558 – 12" tall for 18" diameter

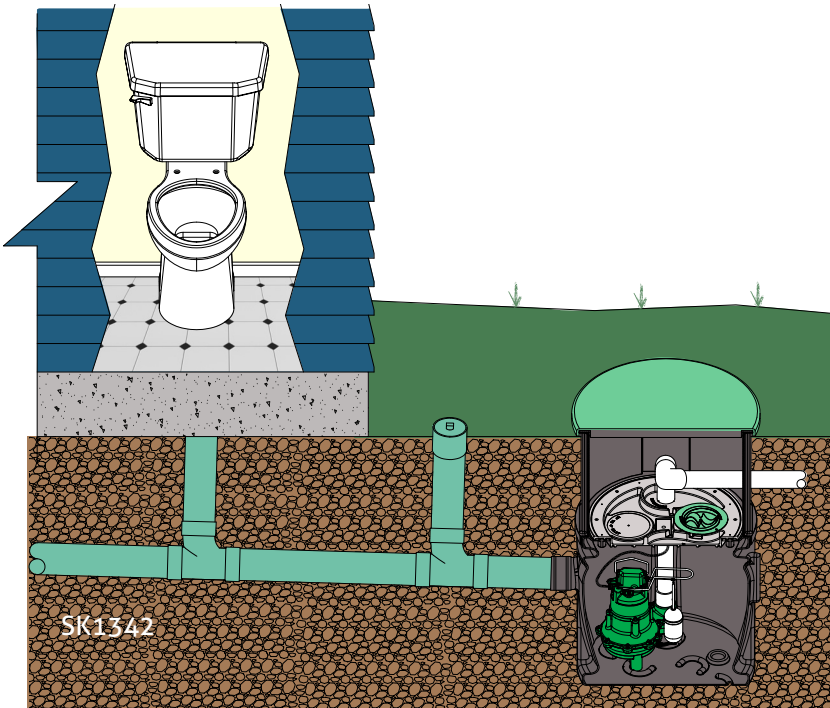
31-0566 – 6" tall for 18" diameter

### 24" X 24" Poly Basin Extension and Riser Options

31-3108 - 8" riser for indoor applications

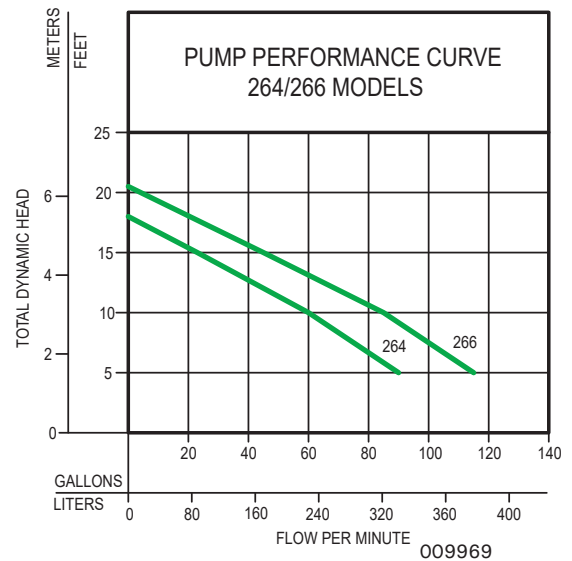
10-5157 - 18" riser for outdoor applications

31-2950 - Replacement 24" x 24" basin only



TOTAL DYNAMIC HEAD  
FLOW PER MINUTE

MODELS		264		266	
Feet	Meters	Gal.	Liters	Gal.	Liters
5	1.5	90	341	115	435
10	3.0	60	227	85	322
15	4.6	23	87	45	170



# 912 Selection Guide

Location	10' Stack	Simplex/ Duplex	Basin	AFD	Vent	Basin Material	Float Switch (Integral/Piggyback)	Pump HP	Alarm	Part Number
Indoor	No	Simplex	24" x 24"	Yes	2"	Poly	Integral	.4 HP	No	912-1141**
									Yes	912-1147
								.5 HP	No	912-1143**
								Yes	912-1149	
							Piggyback	.4 HP	No	912-1142**
									Yes	912-1148
			.5 HP	No	912-1144**					
				Yes	912-1150					
			18" x 30"	No	2"	PSF	Integral	.4 HP	No	912-0007
									Yes	912-1007
								.5 HP	No	912-0010
					Yes	912-1010				
		Piggyback		.4 HP	No	912-0005				
					Yes	912-1005				
			.5 HP	No	912-0017					
			Yes	912-1017						
		18" x 30"	No	2"	Poly	Integral	.5 HP	No	912-0070	
							Piggyback	.4 HP	No	912-0055
									Yes	912-1055
			.5 HP	No	912-0056					
				Yes	912-1056					
			18" x 30"	Yes	2"	PSF	Integral	.4 HP	No	912-0086
								Yes	912-1086	
		.5 HP						No	912-0088	
	Yes	912-1088								
Piggyback	.4 HP	No		912-0087						
		Yes		912-1087						
	.5 HP	No	912-0089							
	Yes	912-1089								
Duplex	24" x 24"	Yes	2"	Poly	Integral	.5 HP	Yes***	912-1161		
						Yes L.A. Code	Simplex	18" x 30"	No	2"
	.5 HP	No	912-0020							
Outdoor	No	Simplex	18" x 30"	No	NA	PSF	Integral	.4 HP	No	912-0082
									Yes	912-1082
								.5 HP	No	912-0084
									Yes	912-1084
							Piggyback	.4 HP	No	912-0083
									Yes	912-1083
								.5 HP	No	912-0085
									Yes	912-1085

\*2" Integral vent

\*\*Can be used outdoor with 10-5157 riser

\*\*\*Residential alternator

FM3467  
1023  
Supersedes  
NEW

**CAUTION** All installation of controls, protection devices and wiring should be done by a qualified licensed electrician. All electrical and safety codes should be followed including the most recent National Electrical Code (NEC) and the Occupational Safety and Health Act (OSHA).